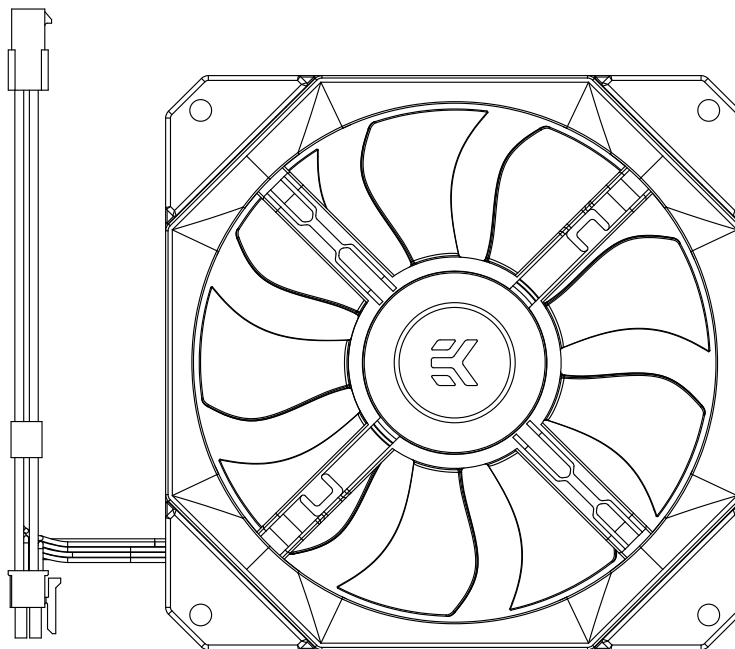


# EK-Quantum Impulse 120mm FAN



Please note the installation of the product is intended to be undertaken by an adequately trained and experienced person. You are installing the product at your own risk. If you are not properly trained or experienced or feel unsure about the installation procedure, please refrain from installing the product yourself and contact our tech support for assistance. We disclaim our liability for any damages to the product as well as incidental, consequential, or indirect damages incurred due to improper or inappropriate installation.

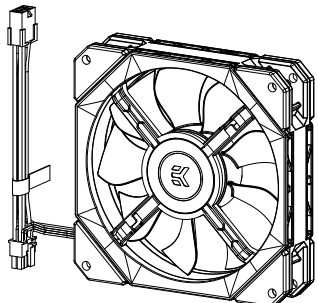
Before you start using this product, please follow these basic guidelines:

**Carefully read the manual before beginning with the installation process.**

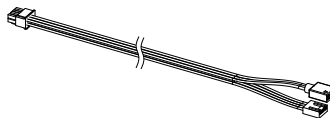
# TABLE OF CONTENTS

<b>BOX CONTENTS</b> .....	<b>4</b>
<b>TECHNICAL SPECIFICATIONS AND DIMENSIONS</b> .....	<b>4</b>
<b>INSTALLING THE FAN DIRECTLY</b> .....	<b>5</b>
<b>INSTALLING THE FAN ON THE RADIATOR</b> .....	<b>5</b>
EK-QUANTUM SURFACE RADIATOR.....	5
<b>CONNECTING THE FANS</b> .....	<b>6</b>
BASIC INFORMATION'S.....	6
<b>SUPPORT AND SERVICE</b> .....	<b>10</b>
<b>SOCIAL MEDIA</b> .....	<b>10</b>

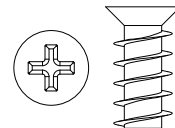
## BOX CONTENTS



EK-Quantum Impulse 120mm FAN

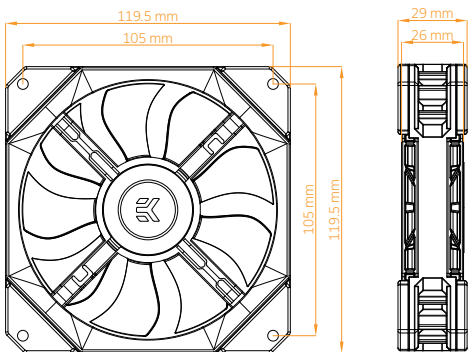


Extension cable (1 pc)



FAN Self tapping screw (4 pcs)

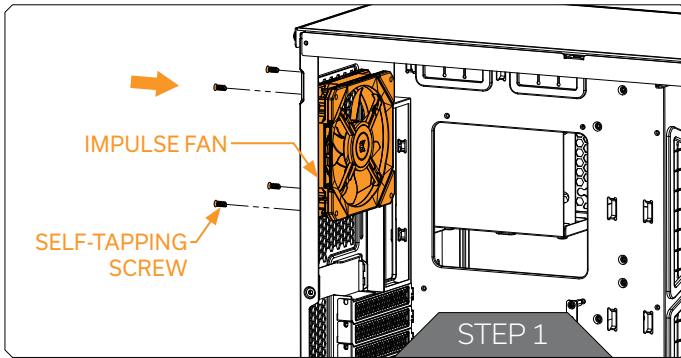
## TECHNICAL SPECIFICATIONS AND DIMENSIONS



### Technical Specification:

- Max Air Flow: 57.5CFM = 97.8m<sup>3</sup>/h
- Static Pressure: 1.94mm-H<sub>2</sub>O
- Noise Level: 24.3dBA (max. RPM)
- Led Count:
  - Frame front side - 12 LED
  - Frame back side - 12 LED
  - Impeller - 6 LED

## INSTALLING THE FAN DIRECTLY

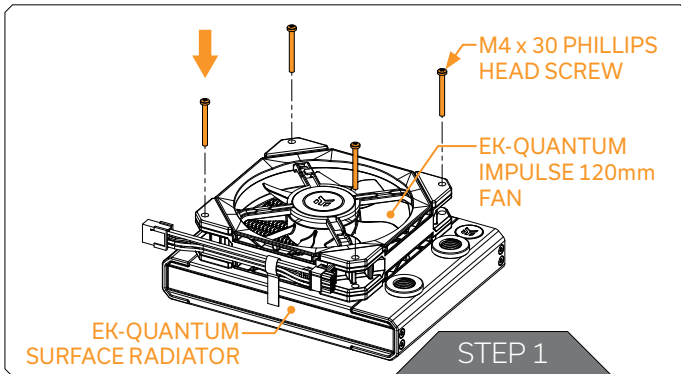


### STEP 1

EK provides the four (4) self-tapping screws with each Fan. Use the Phillips head screwdriver to tighten the screws (in a clockwise direction). Don't use excessive force while tightening the screws.

EK recommends using the EK-Loop Torque Screwdriver - 0.6Nm: <https://www.ekwb.com/shop/ek-loop-torque-screwdriver-0-6nm>

## INSTALLING THE FAN ON THE RADIATOR



### EK-QUANTUM SURFACE RADIATOR

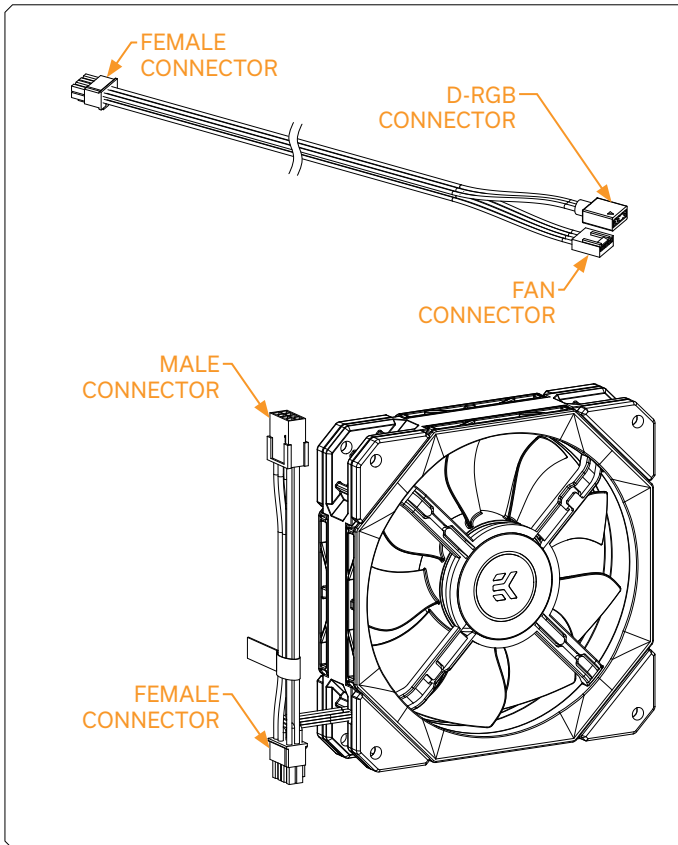
In the case of using the EK-Quantum Surface radiators, it is recommended to select the M4 x 30 Screws (enclosed with the radiator) to secure the fans.

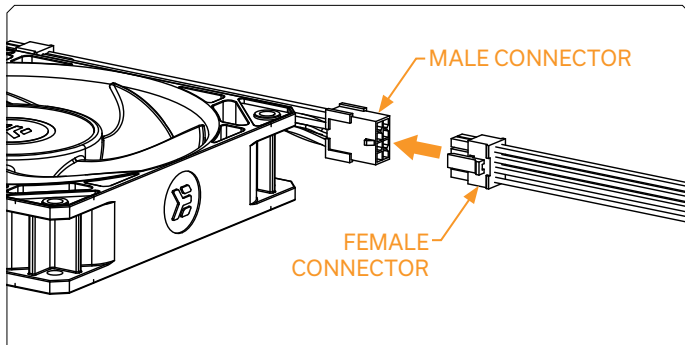
The number of enclosed screws depends on the radiator model. Use the Phillips Head Screwdriver to tighten the screws in a clockwise direction.

**Don't use excessive force while tightening the screws.**

## CONNECTING THE FANS

### BASIC INFORMATION'S

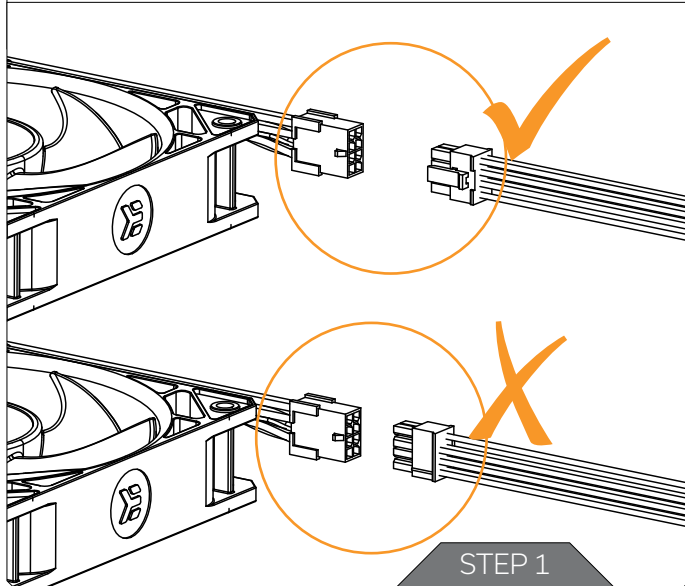


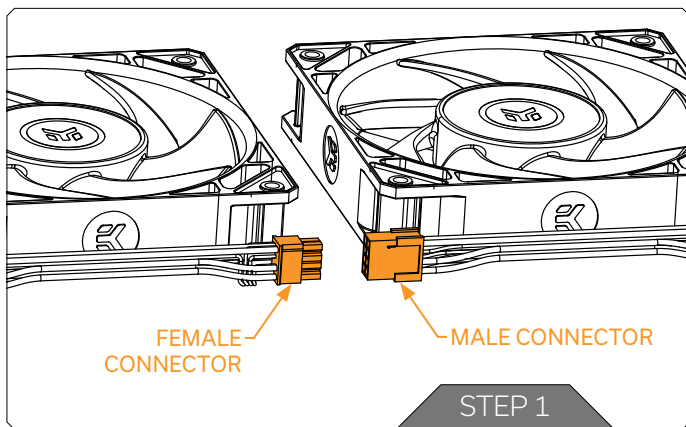


### STEP 1

Connect the female connector from the extension cable to the male connector from the fan.

**Make sure to turn the Female connector correctly.**

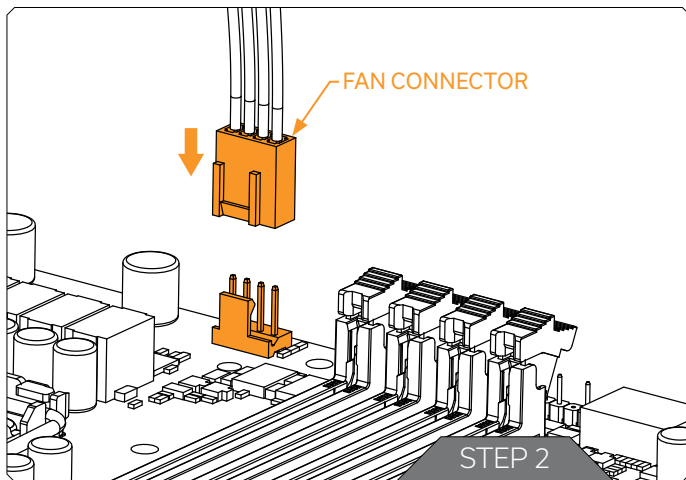




## STEP 1

\*In case of using multiple fan-s, connect fan-s in series with the "daisy-chain".

**Make sure to turn the female connector correctly.**



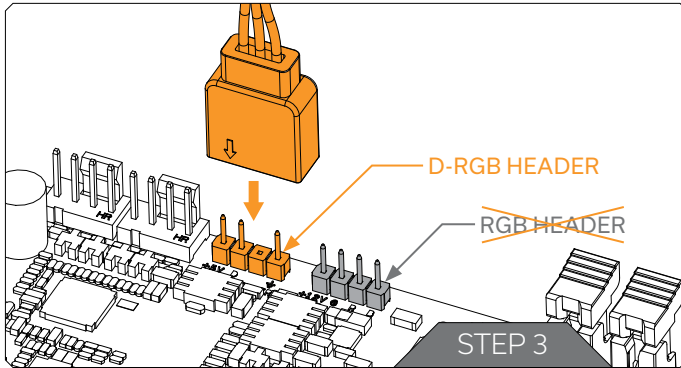
## STEP 2

After connecting the extension cable with the fan, connect the 4-pin fan connector from the extension cable directly to the CPU fan header on the motherboard.



Always use the CPU fan header. On the majority of motherboards, these headers usually offer the best PWM regulation.





### STEP 3

Plug the 3-pin D-RGB connector from the extension cable into the D-RGB header on the motherboard.



Please ensure that the arrow indicated on the connector is plugged into the +5V line as indicated on your motherboard. If you put LED Diode to the 12V RGB HEADER you can damage the LEDs.


## SUPPORT AND SERVICE

In case you need assistance or wish to order spare parts or a new mounting mechanism, please contact:


**<https://www.ekwb.com/customer-support/>**

EKWB d.o.o.  
Pod lipami 18  
1218 Komenda  
Slovenia - EU


## SOCIAL MEDIA

 EKWaterBlocks

 @EKWaterBlocks

 ekwaterblocks

 EKWBofficial

 ekwaterblocks

